

■ Descriptions — Slim Heat Sink — IP20 Type



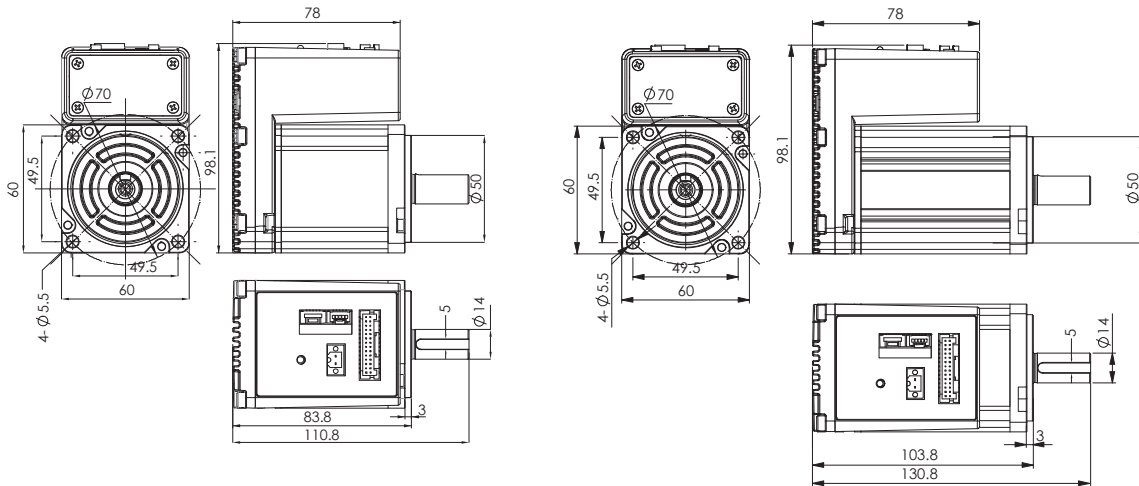
- IP20 Rating
- Frame Size: 60mm
- Power Rating: 200W, 400W
- 8 Digital Inputs
- 4 Digital Outputs
- 2 Analog Inputs
- Support RS-485 or CANopen
- Without planetary gearbox
- Standard shaft with keyway

Part Number		MDXK61GN3□A000 MDXK61GNM□A000		MDXK62GN3□A000 MDXK62GNM□A000	
Winding Type	VDC	48		48	
Nominal supply voltage	VDC	24	48	24	48
Rated Speed	Rpm	2000	3000	1600	3000
Power Rating (at 3000rpm)	W	200		400	
Motor Continuous Torque	N.m	0.64		1.27	
Motor Peak Torque	N.m	1.7		3.0	

Dimensions (Unit: mm)

- MDXK61GN3 □ A000
- MDXK61GNM □ A000

- MDXK62GN3 □ A000
- MDXK62GNM □ A000



Torque Curves

